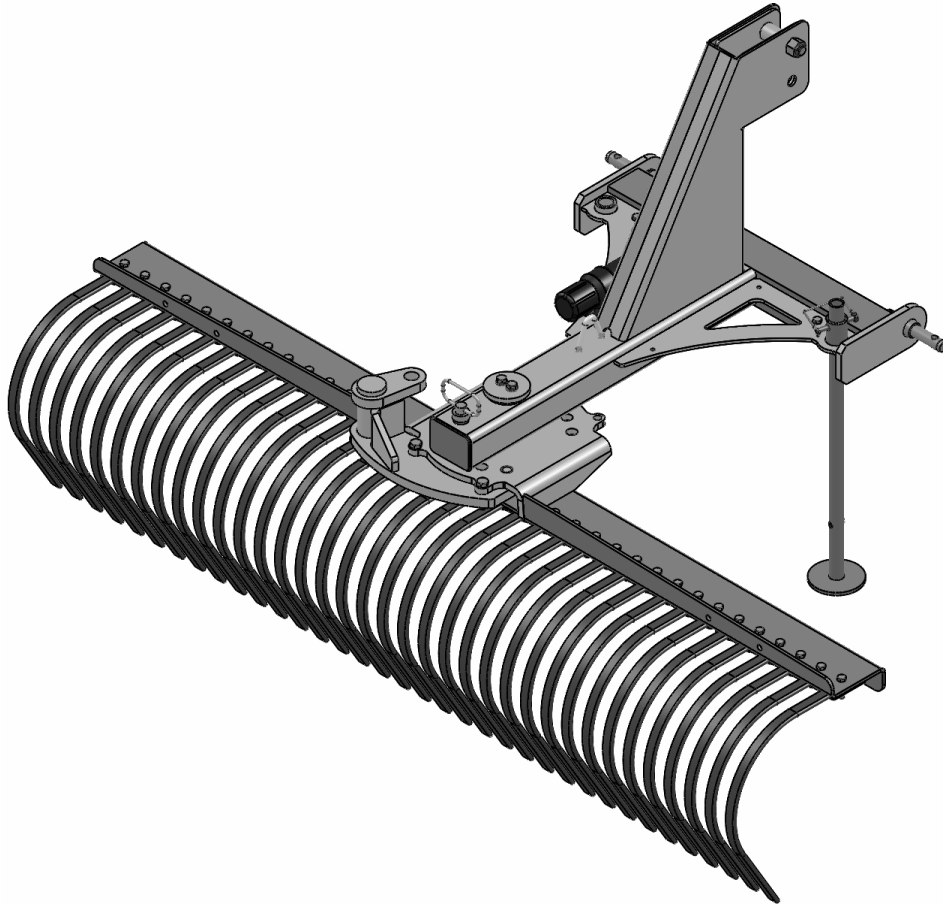




Owner's Manual
M K Landscape Rake
5ft MKLR5 - 6ft MKLR6 - 7ft MKLR7



M K Martin Enterprise Inc
3950 Steffler Rd Elmira On. Ca. N3B 2Z3

Tel: 519-664-2752
Toll Free: 1-855-664-2752
Fax: 519-664-3695

E-mail: sales@mkmartin.ca

www.mkmartin.ca

Warranty and Limitations of Liability

All equipment is sold subject to mutual agreement that it is warranted at M K Martin Inc. (Hereafter called the company). to be free of any defects of material and workmanship. The company shall not be liable for special, indirect consequential damage of any kind under this contract or otherwise. The company's liability shall be limited exclusively to replacement or repair without charge at it's factory or elsewhere, at it's discretion, any materials or defects, which become apparent within one year form the date of purchase. In no event shall M K Martin Enterprise Inc. be liable special, direct, or incidental or consequential damages of any kind. The purchaser by acceptance of the equipment will assume all liability for damage which may result from use or misuse by the employees or others. The purchaser shall maintain and service the equipment as recommended in the Operator's Manual.

This warranty does not cover Rental/Commercial or Rental use of the equipment. This equipment is rated as agricultural.

For Rental/Commercial or Industrial use, Warranty is for defective material and workmanship for a period of 90 days from the date of purchase.

Warranty is null and void unless the Warranty Registration form has been completed and on file at

M K Martin Enterprise Inc
3950 Steffler Rd
Elmira On Ca N3B 2Z3

For your Record

Purchase Date _____

Model # _____

Serial # _____

Please contact your retailer

Manufactured by
M K Martin Enterprise Inc
3950 Steffler Rd
Elmira On Ca N3B 2Z3
Tel: (519)-664-2752
(855)-664-2752
Fax: (519)-664-3695
E-mail: sales@mkmartin.ca

www.mkmartin.ca

Table of Contents

- Registration
- Safety
- Operation
- Parts
- Bolt Torque Chart
- Storage - Maintenance

Warranty Registration

Please Cut and Return to M K Martin Enterprise Inc

Fold And Tape here *Do not tape all edges or use staples*

Fold Here

Postage
Stamp

M K Martin Enterprise Inc
3950 Steffler Rd
Elmira ON CA N3B 2Z3

M K Martin Enterprise Inc
3950 Steffler Rd
Elmira On Ca N3B 2Z3

Purchaser's warranty protection equipment is valid only when this completed form or a copy of this form is on file at M K Martin Enterprise Inc. By filling out this form the purchaser has acknowledged delivery of equipment and owner's / operator's manual and has accepted the condition of the equipment.

Date of delivery to purchaser -----

Type of Equipment -----

Model # ----- **Serial #** -----

Retailer's Signature Indicates

- *Equipment was properly assembled as directed by manufacturer*
- *Equipment was tested for functionality and operates properly*
- *Purchaser was instructed in safe and proper operating procedures*
- *Warranty was explained to purchaser*
- *Purchaser was given the operators manual*

Retailer

Signature -----

Company -----

Address -----

Purchaser's signature indicates

- *Acceptance of equipment fully assembled*
- *Received operator's manual*
- *Clearly understands conditions of warranty*
- *Received instructions of safe and proper operation of equipment*

Purchaser

Signature -----

Company -----

Mailing address -----

City ----- **Prov/State** ----- **Postal Code/Zip** -----

Available phone number -----

Warranty is valid only when it has been received by manufacturer at address

Safety

Take Note! This safety symbol is found throughout this manual to call your attention to instructions involving yourself and others working around the machine.

- Failure to follow these instructions can result in injury or death!



This symbol means

- Attention!
- Become Alert!
- Your Safety is involved!

Signal words are used in this manual.

Caution: Indicate a potential hazardous situation that may result in injury.

Warning: Indicates a hazard situation that could result in serious injury or death.

Danger: Indicates a hazardous situation that needs to be avoided. It is you the operator that needs to be aware of these dangers.

If you have any questions not answered in this manual please contact you dealer or

M K Martin Enterprise Inc
3950 Steffler Rd
Elmira On Ca N3B 2Z3

Tel: 519-664-2752
1-855-664-2752
Fax: 519-664-3695
e-mail sales@mkmartin.ca

www.mkmartin.ca



Safety -- It,s in your interest!



Safety Guidelines.

Safety of operation is one of our main concerns, however it is up to you the operator to practice caution. To avoid personal injury, study the following precautions and insist that those working with you follow them.

The MK Landscape Rake is a very basic piece of equipment. Clear the area of people and especially children, as your attention is concentrated on what the rack is doing rather than the surrounding space. Try to stay aware of your surroundings at all times.

When adjusting or replacing parts, do not place yourself or other person or any part or your body under a raised Landscape Rake.

Replace any decals that may be missing or illegible. Location of the decals are indicated elsewhere in this manual.

Do not use this equipment while under the influence of drugs or alcohol.

Review the safety instructions annually.

This equipment should not be operated by children, or those uninformed with the proper operation of the MK Landscape Rake.

Do not allow persons to operate this machine until they have read this manual and are/or were instructed by a qualified person.

Do not paint over, remove, deface any safety signs or warning decals on this equipment.

Observe all safety signs and practice the instructions on them.



Please be careful with the extra weight on the back or the tractor. It may be necessary to add extra weight to th front of the tractor to keep it balanced properly

Operating

Operating the MK Landscape Rake

The Landscape Rake is designed for Cat#1 3ph and is adaptable for Quick Hitch.

The MK Landscape Rake can be angled with a choice of 5 positions and fixed with a pin. The Rake can also be rotated 180° and use 5 more positions in the other direction.

Optional hydraulic cylinder angle adjustment is available to give you more angle control from your tractor seat.

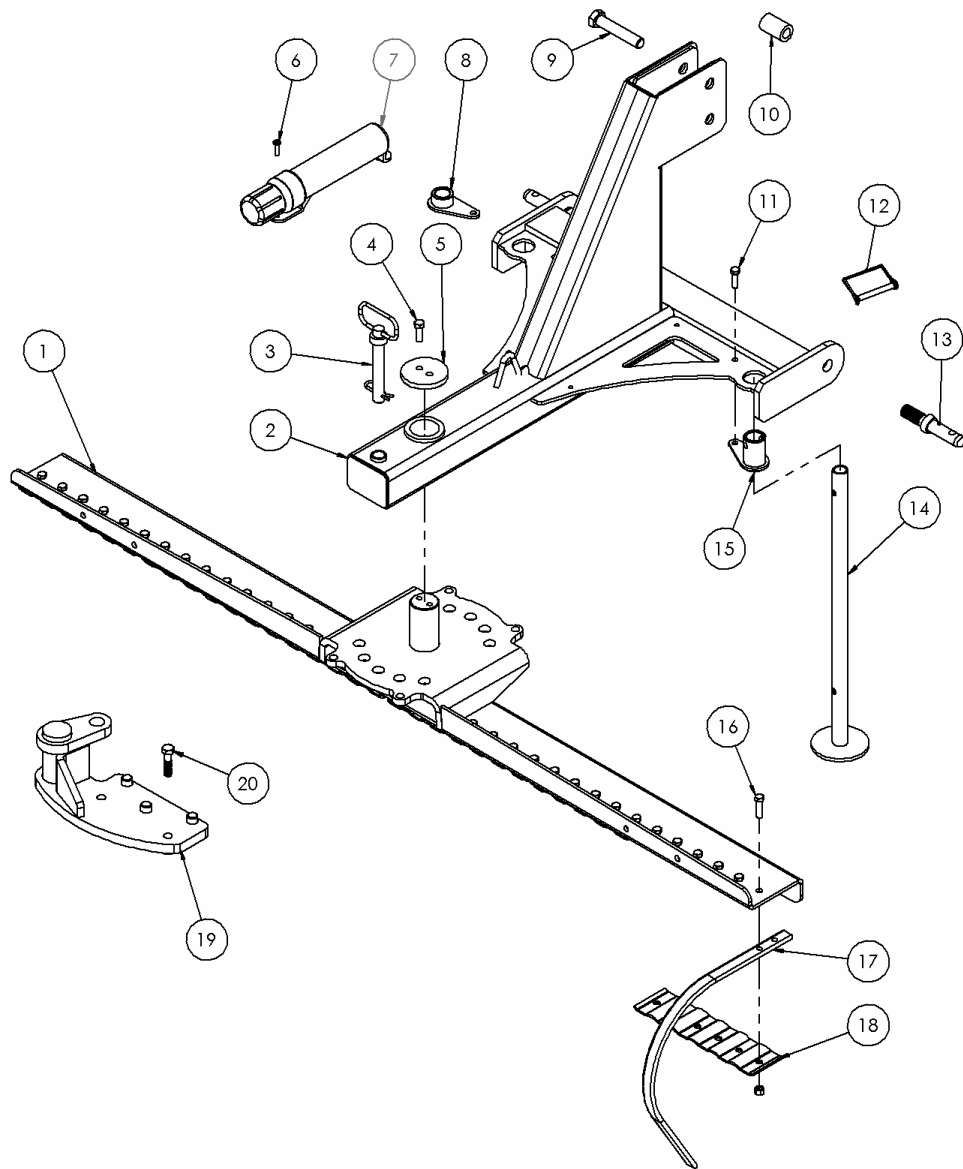
A Standard Agricultural 8" stroke cylinder is used (2 1/2 x 8 Min) 20 1/4" pin to pin retracted

The direction can be changed by unbolting the cylinder bracket and turn the Rake 180° and bolting the bracket on the other set of bolt holes.

Attaching and using the Landscape Rake

1. Attach to the tractor as a 3ph piece of equipment
2. Ensure all pins are secured.
3. Raise the Rake slightly with the hydraulics
4. Undo the stand pin and pull the stand up to the top position and lock with pin.
5. At this time you can use leveling adjustment on the tractor, adjust until the Rake is level to the ground.
6. The Rake can be made or less aggressive by lengthening or shortening the top link of the 3ph link.
7. The Rake can be rotated left or right to best suit your requirements.
8. For more precise depth control a set of gauge wheels can be added.

MK Landscape Rake Parts



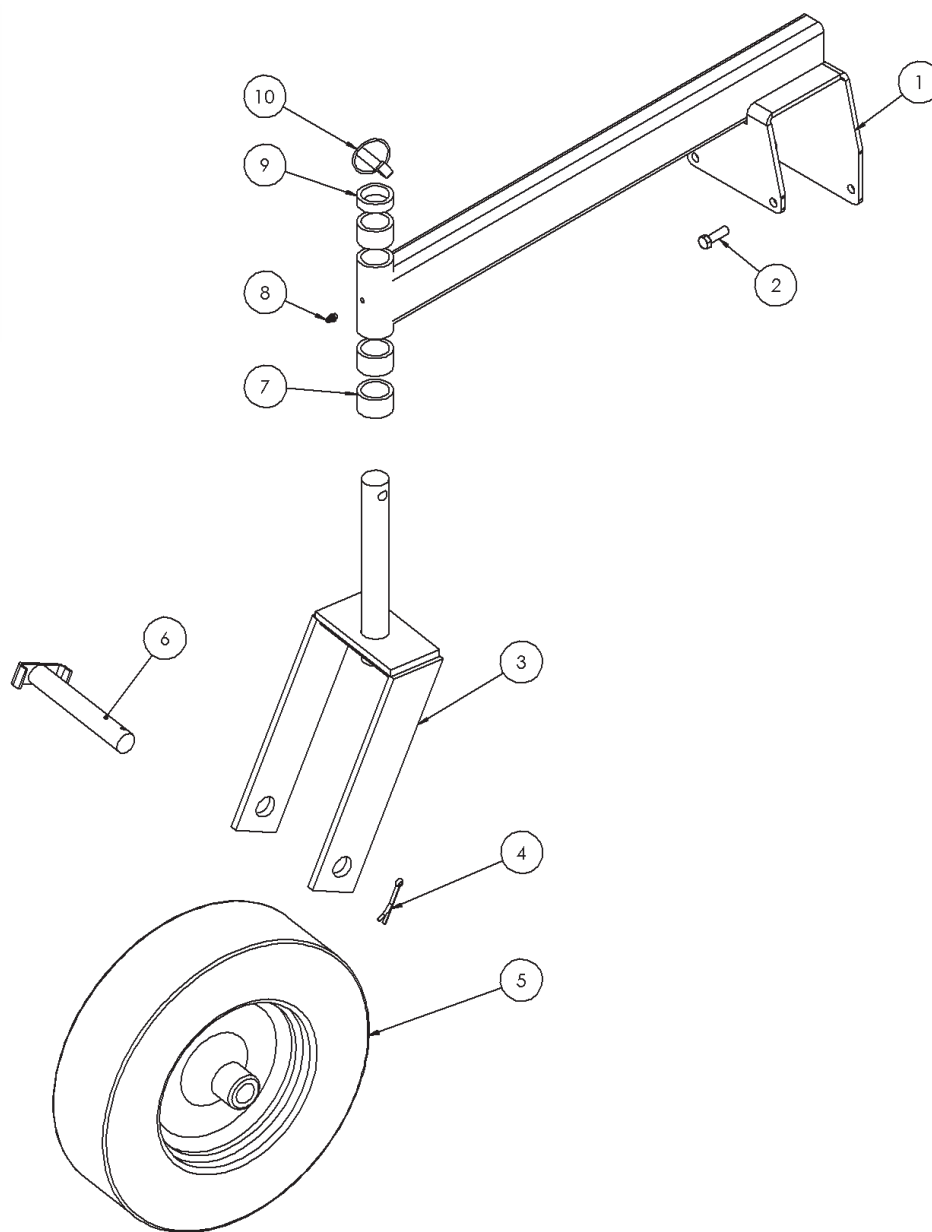
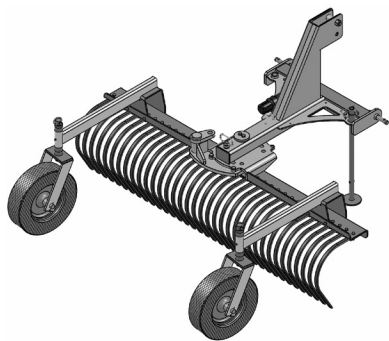
Item #	Part #	Description	Qty
1	51205	5ft Rake Bar	1
	51206	6ft Rake Bar	1
	51193	7ft Rake Bar	1
2	770-32772	Main Frame	1
3	OL	Index Pin (3/4" Draw-bar Pin)	1
4	OL	Bolt 7/16x1 1/4 c/w lw	2
5	770-23778	Swivel Cap	1
6	OL	Flange Head Bolt 1/4x1 c/w Flange Nut	2
7	DJA7011	Manual Tube	1
8	770-32761	Cylinder Bracket	1
9	OL	Bolt 3/4x4 c/w ln	1
10	770-32779	Bushing	1
11	OL	Bolt 3/8x1 1/4 c/w lw, n	2
12	OL	3/8 PTO Pin	1

Item #	Part #	Description	Qty
13	783-100-110	Cat#1 Hitch Pin	2
14	51203	Stand	1
15	770-22333	Stand Bracket	1
16	OL	5ft Bolt 3/8x1 1/2 c/w ln	30
	OL	6ft Bolt 3/8x1 1/2 c/w ln	36
	OL	7ft Bolt 3/8x1 1/2 c/w ln	42
17	DJA33913	5ft Rake Tine	30
	DJA33913	6ft Rake Tine	36
	DJA33913	7ft Rake Tine	42
18	DJA58917	5ft Tine Clamp	5
	DJA58917	6ft Tine Clamp	6
	DJA58917	7ft Tine Clamp	7
19	770-32728	Rear Cylinder Bracket	1
20	OL	Bolt 1/2x2 c/w lw, n	2

Please Note:

When Replacing Tines use second hole as noted to fasten

Gauge Wheels



Item #	Part #	Description	Qty
1	51198	Wheel Beam	2
2	OL	Bolt 3/8x1 1/4 c/w lw, n	4
3	51195	Wheel Yoke	2
4	OL	Cotter Pin 3/16x2	1
5	512-602038	Wheel	2
6	30086	Wheel Axle	2
7	51202	Long Spacer	6
8	OL	1/4-28 Grease Fitting	1
9	51201	Short Spacer	2
10	OL	7/16 Lynch Pin	2

Bolt Torque

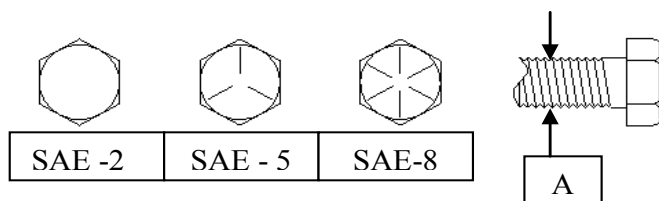
As used on this equipment

Bolt torque table shown below gives torque values for the various bolts used. This chart is for non-lubricated threads. Replace with the same strength bolt.

Torque Specifications. Torque values are identified by their head markings

Diameter	SAE 2		SAE 5		SAE 8	
	Lb-ft	N.m	Lb-ft	N.m	Lb-ft	N.m
1/4	6	(8)	9	(12)	12	(17)
5/16	10	(13)	19	(25)	27	(36)
3/8	20	(27)	33	(45)	45	(63)
7/16	30	(41)	53	(72)	75	(100)
1/2	45	(61)	80	(110)	115	(155)
5/8	95	(128)	160	(215)	220	(305)
3/4	165	(225)	290	(390)	400	(540)
1	225	(345)	630	(850)	970	(1320)

Allen head cap screws are similar to SAE 8 quality.



These torques are for a reference only. Not all these sizes and grades are necessarily used in this machine. Bolts that are used as a pivot or hinge have to be used with a locknut, therefore only tighten enough to secure the bolt and still allowing the part to rotate freely.

Maintenance

After the first 1/2 hour of use, check all the nuts and bolts, re tighten as required.

After the first 1 1/2 - 2 hours of use check all nuts and bolts again.

After 4-5 hours recheck again

Continue checking at 5 hour intervals until all bolts stay secure.

Storage of the MK Landscape Rake

Store the Rake on a firm dry area, set on blocks if the area is not firm enough to support equipment without sinking in.

Clean off all dirt.

When storing for extended periods and rusting could be a problem, remove the swivel cap and apply some oil between the swivel shaft and the bushing. Replace the cap and wipe excess oil off with a dry rag.

Note:

OL -- Obtain Locally

lw -- Lockwasher

In -- Locknut

n -- Nut

