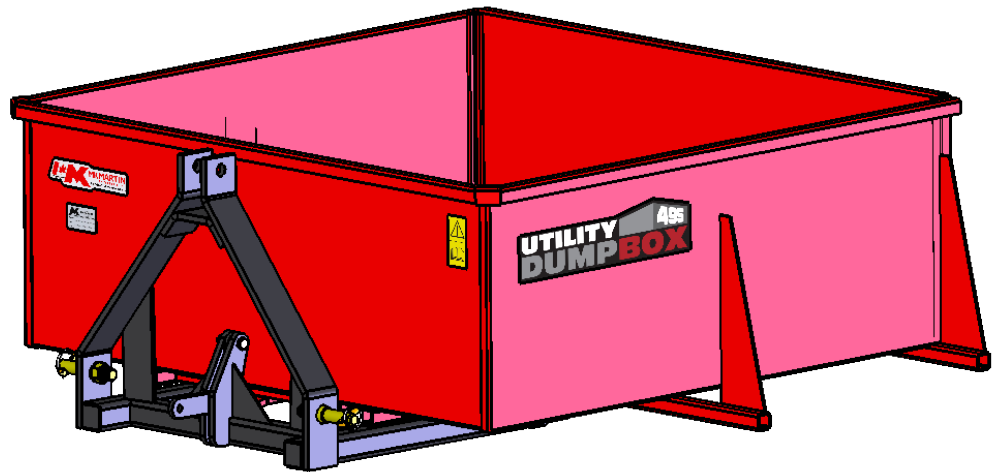
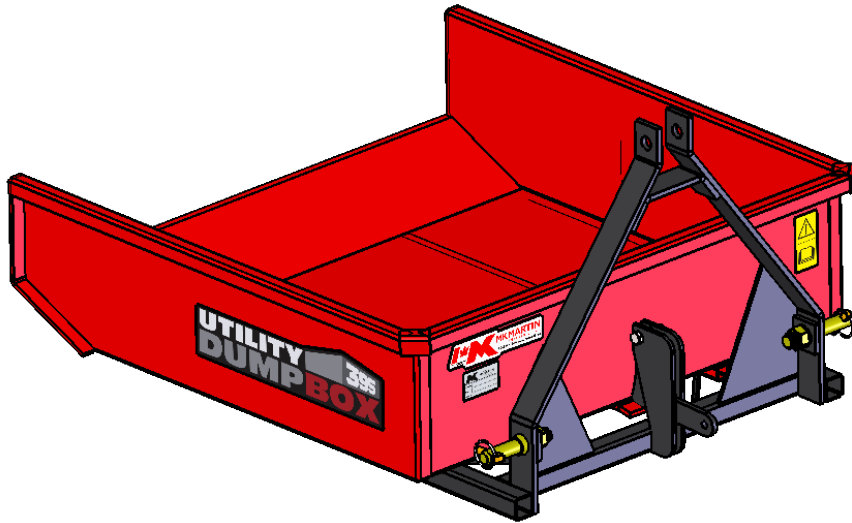




# Series Dump Box



Operator's / Parts Manual



MK Martin Enterprise Inc.  
3950 Steffler Rd Elmira, ON, Canada N3B 2Z3

Tel: 519-664-2752  
Toll Free: 1-855-664-2752  
Fax: 519-664-3695  
E-mail: [sales@mkmartin.ca](mailto:sales@mkmartin.ca)  
[www.mkmartin.ca](http://www.mkmartin.ca)



Rev: 18-1



## Table of Contents

• Warranty	-----	2
• Registration	-----	3
• Safety	-----	5-6
• Decal Location	-----	7
• Using the Dump Box	-----	8
• Parts 395	-----	9
• Parts 495	-----	10
• Maintenance	-----	11
• Bolt Torque	-----	12



3950 Steffler Rd. • Elmira • Ontario, Canada • N3B 2Z3 • Email : sales@mkmartin.ca • Fax : (519)-664-3695 • Tel : (519)-664-2752

# Warranty

Effective on products retailed on or after November 1, 2017

## Two Year Limited Consumer Warranty

## Five Year Limited Consumer Warranty on Gearboxes

## 90 Day Limited Commercial Warranty including Gearboxes

**Commercial includes rental and industrial applications.**

**Warranty begins at the time of customer delivery and is activated upon warranty registration receipt at MK Martin Enterprise Inc.**

**Warranty coverage is null and void unless the Warranty Registration form has been completed in full and is on file at MK Martin Enterprise Inc.**

**Keep your registration copy in a safe place, it is required as proof of warranty activation.**

This new and unused product is warranted by MK Martin Enterprise Inc. to be free from defects in material and workmanship under normal use and regular service as described in the owner's manual, for a consumer period of 2 years and 5 years for gearboxes, from the date of delivery, and commercial period of 90 days, including gearboxes, from the date of delivery. Warranty is limited to the replacement of parts and / or repair of the product.

If issues develop within the warranty period with the product, contact the local dealer from which you purchased the unit. Only MK Martin authorized dealers may make repairs to the product or affect the replacement of defective parts, unless otherwise approved by MK Martin. Repairs / replacement will be done at no charge within a reasonable time after the receipt of the product.

**This warranty does not cover the following items:**

1. Normal replacement of service items.
2. Normal maintenance or adjustments.
3. Machines or parts lost or damaged during shipment,
4. Accessory items / parts not supplied by MK Martin
5. Damages resulting from:
  - misuse, negligence, accident, theft or fire
  - use of improper or insufficient fuel, fluids or lubricants
  - use of after market parts or accessories, unless approved by MK Martin
  - modifications, alteration, tampering or improper repair
  - any device or accessories installed by other than an authorized dealer.
6. Tires are covered by the manufacturer of the tire and the warranty period specified by that manufacturer. **Please contact the tire manufacturer for warranty on these items.**

MK Martin Enterprise Inc. shall not, in any event, be liable for any losses, damages or costs; to include profits, travel, transportation, pick up, delivery, towing cost, tow vehicle, loss of use, whether special, incidental, consequential or otherwise, in any way. Unit or parts are returned at the customer's expense.

Include a copy of your completed Warranty Registration form with any claim as proof of warranty activation.

There are no warranties, expressed or implied, other than those specified herein. No agent, employee or other person has any authority to vary any of the foregoing provisions.

Warranty coverage is null and void unless the Warranty Registration form has been completed in full and is on file at MK Martin Enterprise Inc. Warranty begins at the time of customer delivery and is activated upon Warranty Registration receipt at MK Martin Enterprise Inc.

**M K Martin Enterprise Inc  
3950 Steffler Rd  
Elmira ON CA N3B 2Z3**

*Purchaser's warranty protection is valid only when this completed form or a copy of this form is on file at M K Martin Enterprise Inc. By filling out this form the purchaser has acknowledged delivery of equipment and owner's / operator's manual and has accepted the condition of the equipment.*

**Date of delivery to purchaser -----**

**Type of Equipment -----**

**Model # ----- Serial # -----**

**Retailer's Signature Indicates**

- *Equipment was properly assembled as directed by manufacturer*
- *Equipment was tested for functionality and operates properly*
- *Purchaser was instructed in safe and proper operating procedures*
- *Warranty was explained to purchaser*
- *Purchaser was given the operators manual*

***Retailer***

**Signature -----**

**Company -----**

**Address -----**

**Purchaser's signature indicates**

- *Acceptance of equipment fully assembled*
- *Received operator's manual*
- *Clearly understands conditions of warranty*
- *Received instructions of safe and proper operation of equipment*

***Purchaser***

**Signature -----**

**Company -----**

**Mailing address -----**

**City ----- Prov/State ----- Postal Code/Zip -----**

**Available phone number -----**

**Warranty is valid only when it has been received by manufacturer at address above**

# Warranty Registration

**Please Cut and Return to M K Martin Enterprise Inc**

**Fold And Tape here**

*Do not tape all edges or use staples*

*Fold Here*

**Postage  
Stamp**

**M K Martin Enterprise Inc  
3950 Steffler Rd  
Elmira ON CA N3B 2Z3**

## Safety

**Take Note!** This safety symbol is found throughout this manual to call your attention to instructions involving yourself and others working around the machine.

- **Failure to follow these instructions can result in injury or death**



This symbol means

- **Attention!**
- **Become Alert!**
- **Your Safety is involved!**

Signal words are used in this manual.

**Caution:** Indicates a potential hazardous situation that may result in injury.

**Warning:** Indicates a hazardous situation that could result in serious injury or death.

**Danger:** Indicates a hazardous situation that needs to be avoided. It is you the operator that needs to be aware of these dangers.

If you have any questions not answered in this manual please contact your dealer or

M K Martin Enterprise Inc  
3950 Steffler Rd  
Elmira On Ca N3B 2Z3

Tel: 519-664-2752  
1-855-664-2752  
Fax: 519-664-3695  
e-mail [sales@mkmartin.ca](mailto:sales@mkmartin.ca)

[www.mkmartin.ca](http://www.mkmartin.ca)



## Safety -- It's in your interest!



### Safety Guidelines

Safety or operation is one for our main concerns, it is up to the operator to practice caution.

To avoid personal injury, study the following precautions and insist that those working with you, to follow them.

This equipment is designed to haul material/produce:



**Danger!** Do not carry or allow anyone, people or pets to ride in the box!



Replace any decals that may be missing or not readable. Location of decals are indicated elsewhere in this manual.



**Warning!** Do not use this equipment while under the influence of drugs or alcohol.

Review these safety instructions with all users annually.

This equipment should not be operated by children: or those unfamiliar with the operation of the Utility Dump Box. Do not allow persons to operate the equipment until they have read this manual and/or were instructed by a qualified person.



**Please be careful** with the extra weight on the back of the tractor. It may be necessary to add weight on the front of the tractor to compensate for the weight on the back.



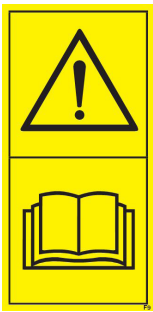
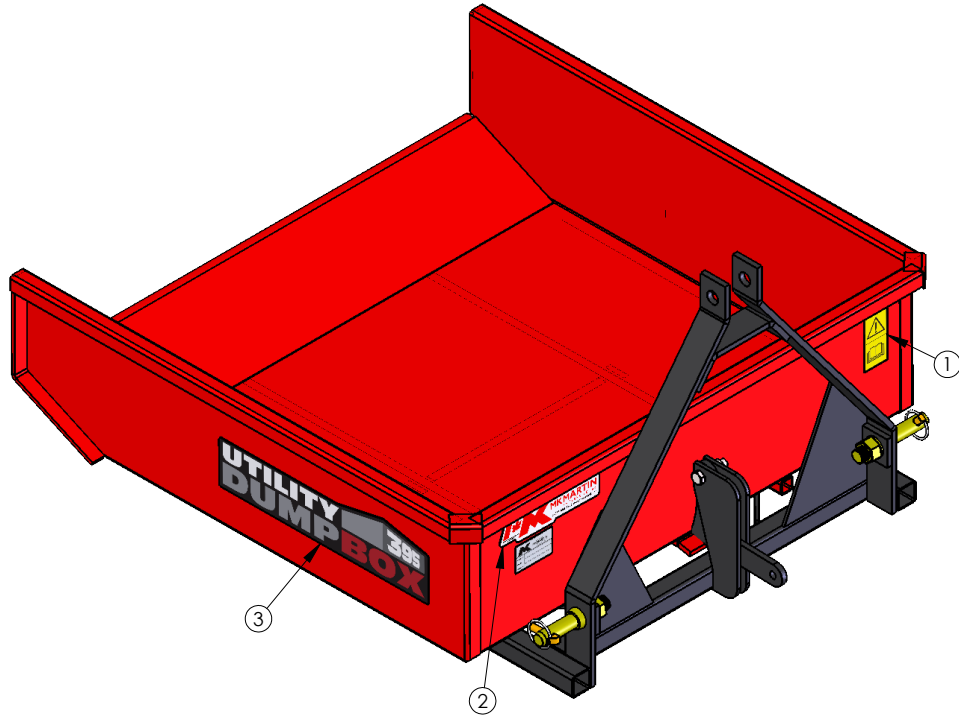
**Caution:** When dumping, have the box close to the ground so the back of the box swings onto the surface, then raise the hitch arms to allow the box the box to gradually swing up and discharge the load.

### **Notice!**

If the lift arms are high enough before the latch is activated, the box can/will instantly swing up and completely upside down. **Be aware of this and ensure all personnel and bystanders are clear of the area!**



# Decal Location



## Part #1

Before operating machine, carefully read the instruction manual



## Part #2

MK logo made in canada

Model Decal (one ea side)



## Part #3

395 Utility Dump Box

Model Decal (one ea side)



## Part #3

495 Utility Dump Box

## Using the Utility Dump Box

Attach the Dump Box to the tractor 3ph and fasten a rope or small chain to the latch and the other end to a convenient location that can be reached by the operator.

**Remember to UNDO this end if it is fastened to the tractor, before unhitching from the tractor!**

- With the frame of the Dump Box approx 9-10" off the surface the box will swing as noted.
- If the frame is high enough the box will swing upside down.

**Note:** If more load is on the front of the box, it may not dump at all.

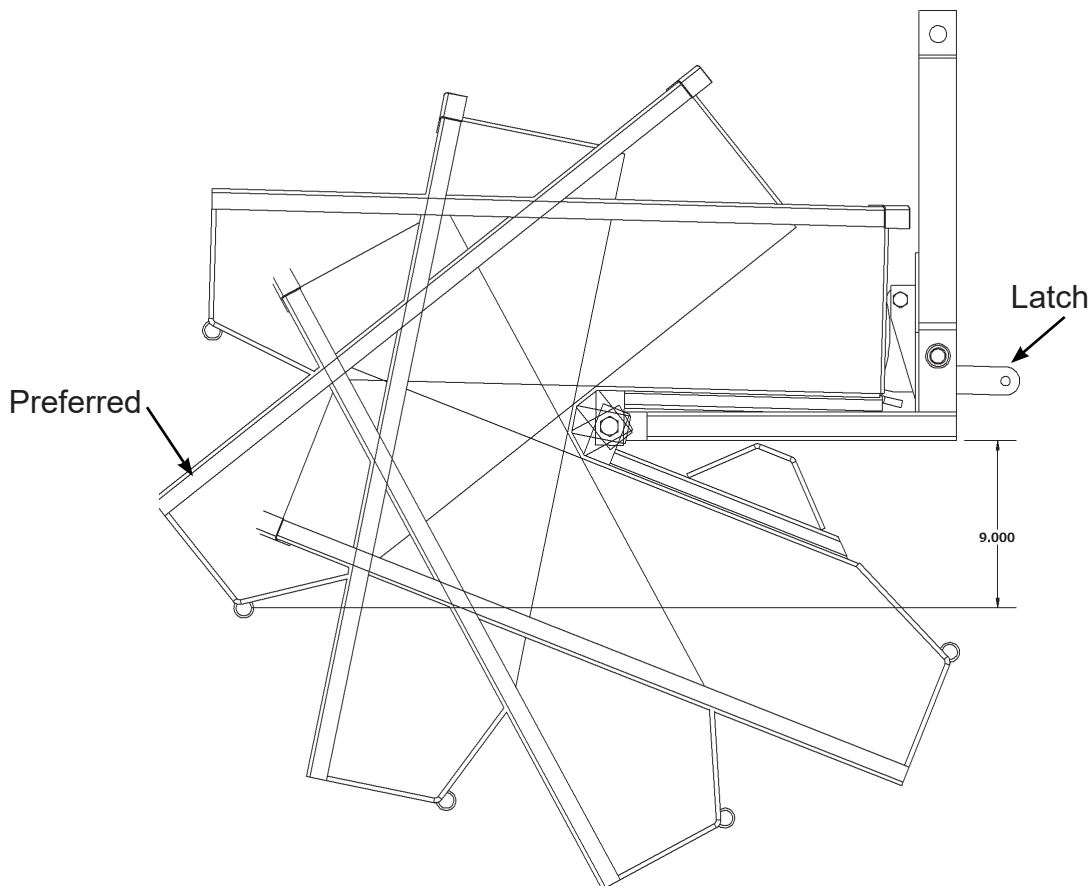
- If the load is all on the back end of the box, then it will tip or swing **violently!**
- With more load on the back the latch will also be harder to unlatch.

**Note:** The "495" Model has a removable end gate. **Remove the end gate before dumping.**

To Re-latch the box, lower the box to the surface and move ahead until the latch engages the striker on the box.

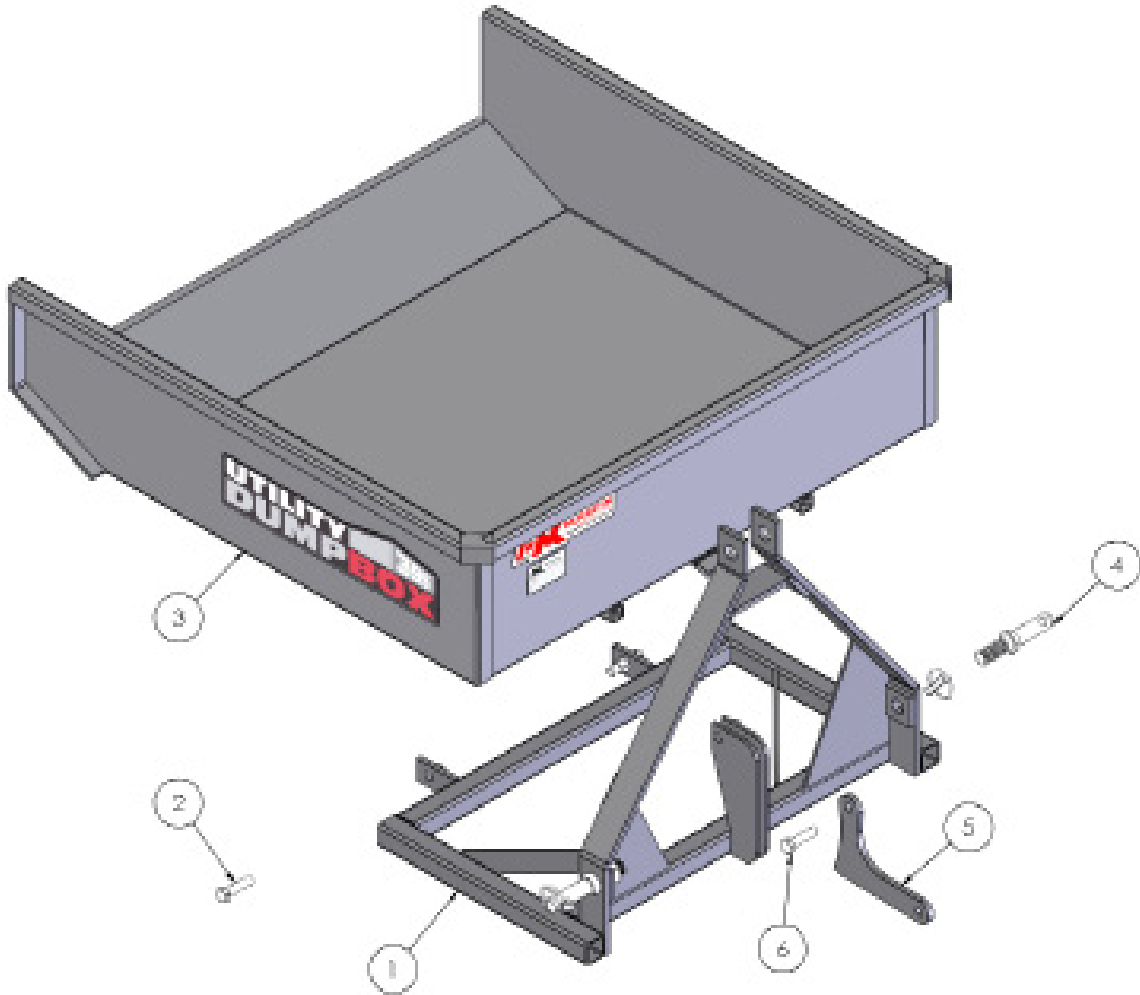


**WARNING ! Do not lift or carry passengers with this box!**



This illustration is for the "395" box  
The "495" box will be similar

## Utility Dump Box Model 395 Parts

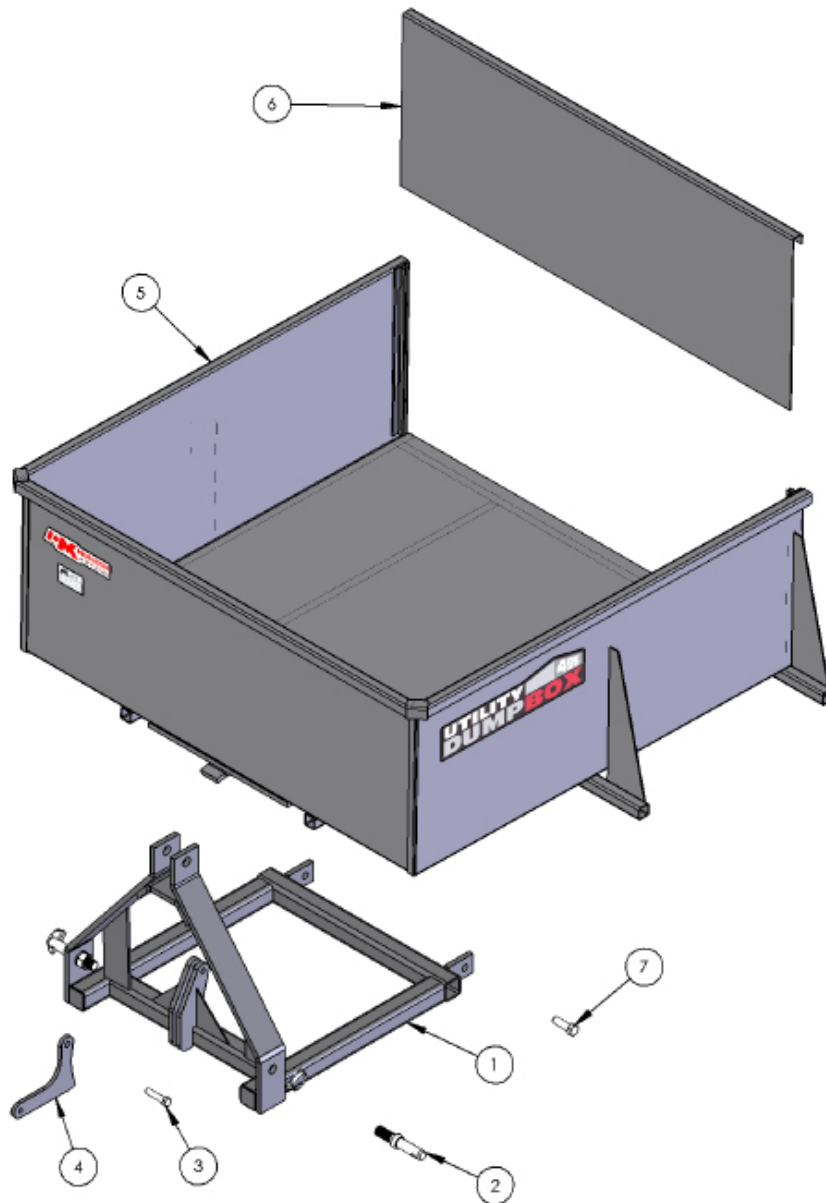


Item #	Part #	Description	Qty
1	21859	Frame	1
2	OL	Bolt Gr5 5/8 x 2 c/w In	2
3	21883	Box	1
4	783-100-110	Hitch Pin	2
5	21871	Latch	1
6	OL	Bolt Gr5 1/2 x 2 1/4 c/w In	1

**Note**

**OL -- Obtain Locally**  
**c/w -- Complete With**  
**In -- Locknut**

## Utility Dump Box Model 495 Parts



Item #	Part #	Description	Qty
1	21894	Frame	1
2	783-10-110	Hitch Pin	2
3	OL	Bolt Gr5 1/2 x 2 1/4 c/w In	1
4	21871	Latch	1
5	21907	Box	1
6	21910	End Gate	1
7	OL	Bolt Gr5 5/8 x 2 c/w In	2

**Note**

**OL -- Obtain Locally**  
**c/w -- Complete With**  
**In -- Locknut**

## Utility Dump Box Maintenance

There are only two moving parts that need to be maintained.

- After 50 hours of use, remove the box and latch pivot bolts and inspect them for wear. They should not show wear, if they do, they need to be replaced.

Do not use any oil to lubricate the pivots as it will collect and retain sand and grit and cause more wear. Graphite or a Molly lube can be used if you so desire.

- The locknuts should be tightened to just allow the parts to pivot freely. (tighten the bolt then back the nut off 1/2 turn)
- Ensure the pull rope or chain is in good condition.
- After use, clean the box and ensure it will dry.

**Storage:** when storing for long periods, store it in a dry place and place a few drops of oil on the pivot bolts to prevent rust.

Any bare metal areas should be touched up with paint.

### **Bolts**

All bolts are grade #5

All nuts are Locknuts

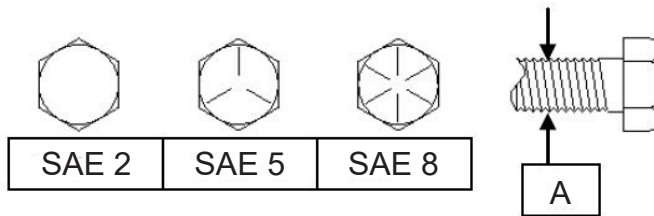
## Bolt Torque

As used on this machine

- Bolt torque table shown below gives torque values for various bolts used.
- This chart is for non-lubricated threads.
- Replace with same strength bolt.

Torque Specifications. Torque values are identified by their head markings.

Diameter	SAE 2		SAE 5		SAE 8	
	<i>ft-lb</i>	<i>N.m</i>	<i>ft-lb</i>	<i>N.m</i>	<i>ft-lb</i>	<i>N.m</i>
<b>"A"</b>						
<b>1/4</b>	6	(8)	8	(11)	12	(16)
<b>5/16</b>	11	(15)	17	(24)	25	(33)
<b>3/8</b>	20	(27)	31	(42)	44	(59)
<b>7/16</b>	32	(43)	49	(67)	70	(95)
<b>1/2</b>	49	(66)	76	(105)	105	(145)
<b>5/8</b>	97	(130)	150	(205)	210	(285)
<b>3/4</b>	144	(195)	265	(360)	375	(510)
<b>7/8</b>	165	(225)	430	(585)	605	(820)
<b>1</b>	250	(340)	645	(875)	910	(1230)
<b>1 1/8</b>	355	(480)	795	(1080)	1290	(1750)
<b>1 1/4</b>	500	(680)	1120	(1520)	1820	(2460)
<b>1 1/2</b>	870	(1180)	1950	(2640)	3160	(4290)



Allen head cap screw are similar to SAE 8 quality

These torques are for reference only. Not all these sizes and grades are necessarily used in this machine. Bolts that are used as a pivot or hinge have to be used with a locknut, therefore only tighten enough to secure the bolt and still allowing the part to rotate freely.





MK Martin Enterprise Inc.  
3950 Steffler Rd Elmira, ON, Canada N3B 2Z3

Tel: 519-664-2752  
Toll Free: 1-855-664-2752  
Fax: 519-664-3695  
E-mail: [sales@mkmartin.ca](mailto:sales@mkmartin.ca)  
[www.mkmartin.ca](http://www.mkmartin.ca)